



**Fiat Ducato 2024+**

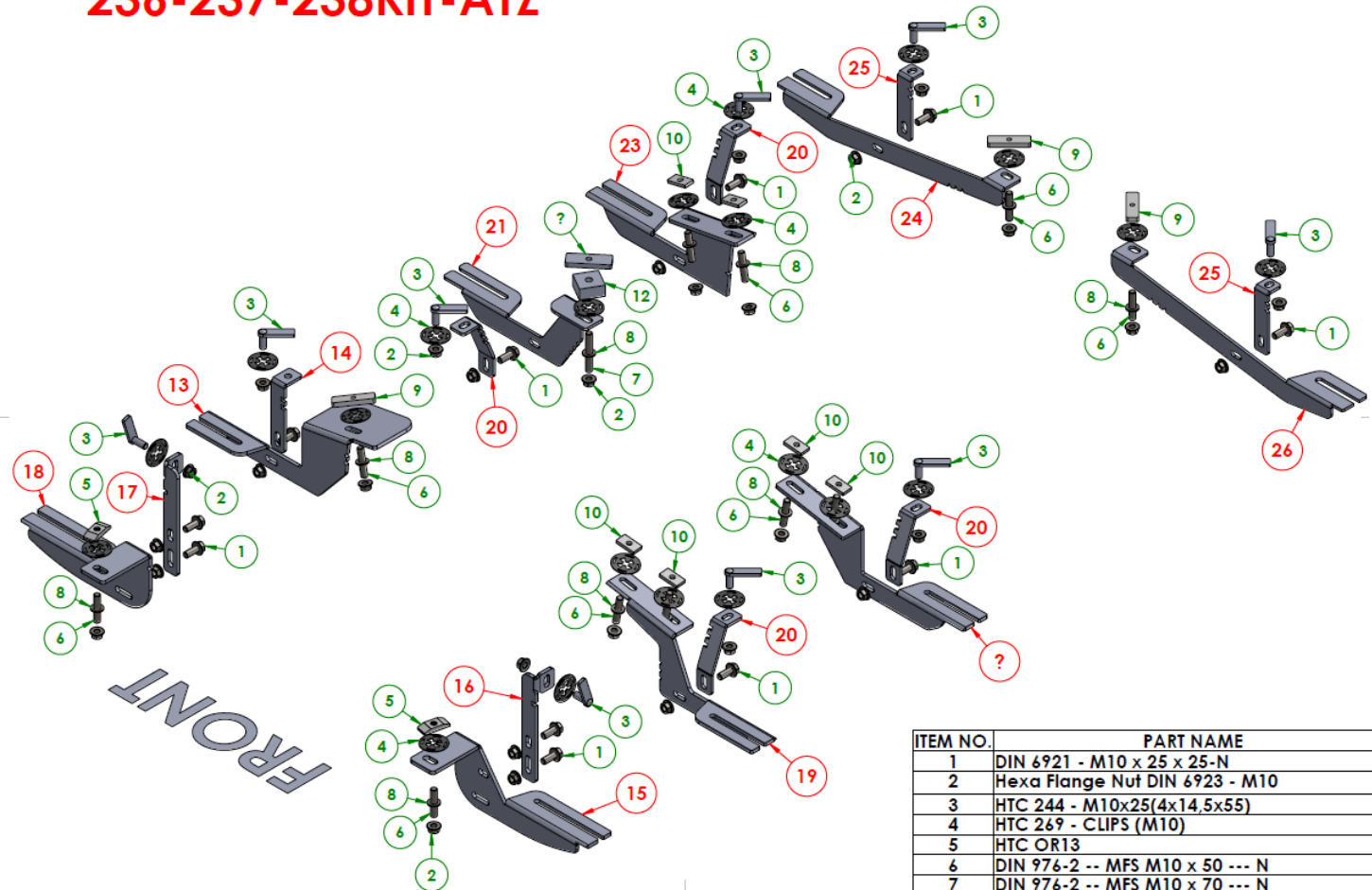
**INSTALLATION GUIDE - AT/Z**



60 min.

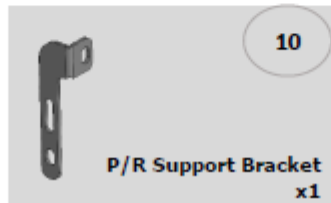
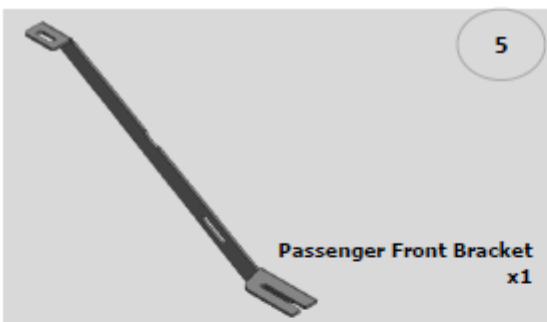
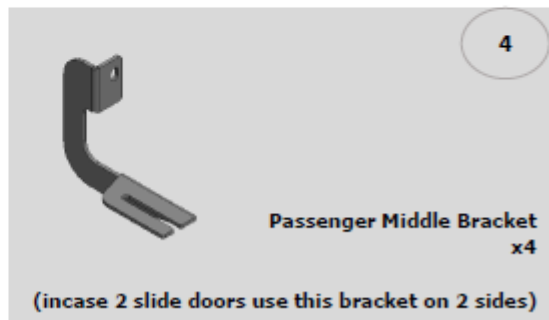
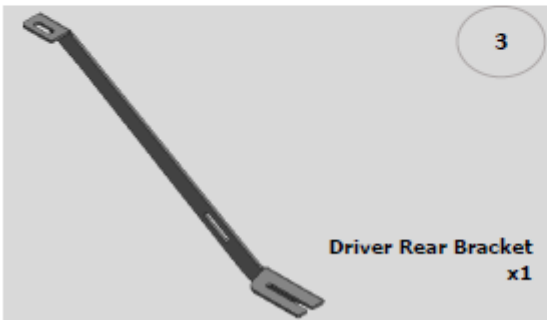
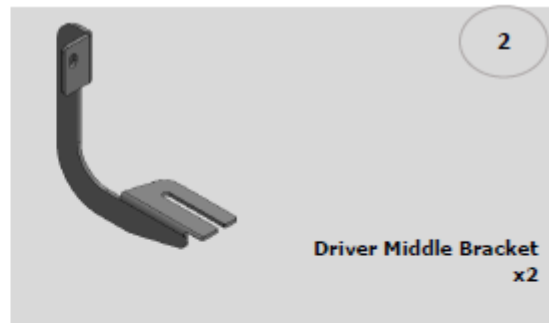
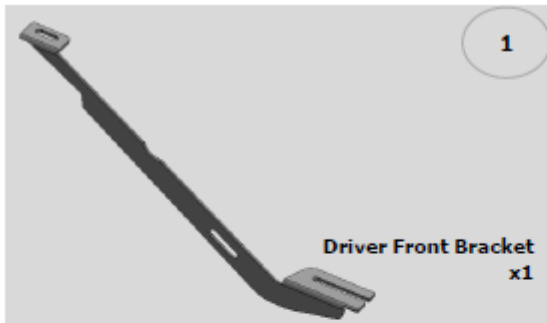
# BOX CONTENTS

## 236-237-238KIT-ATZ



ITEM NO.	PART NAME	QNT.
1	DIN 6921 - M10 x 25 x 25-N	11
2	Hexa Flange Nut DIN 6923 - M10	32
3	HTC 244 - M10x25(4x14,5x55)	9
4	HTC 269 - CLIPS (M10)	21
5	HTC OR13	2
6	DIN 976-2 -- MFS M10 x 50 --- N	11
7	DIN 976-2 -- MFS M10 x 70 --- N	1
8	Washer DIN 125 - A 10.5 - 300HV	12
9	HTC OR4	3
10	HTC OR8	6
11	HTC OR3	1
12	JUMPER CAMPER ATZ Spacer (40x40x20xØ11)	1
13	JUMPER CAMPER ATZ Rechts Voorkant 2	1
14	JUMPER CAMPER ATZ Support 1	1
15	JUMPER CAMPER ATZ Links Voorkant 1	1
16	JUMPER CAMPER ATZ Support 2	1
17	JUMPER CAMPER ATZ Support 3	1
18	JUMPER CAMPER ATZ Rechts Voorkant 1	1
19	JUMPER CAMPER ATZ Links Midden 2	1
20	JUMPER CAMPER ATZ Support 4	4
21	JUMPER CAMPER ATZ Rechts Midden 1	1
22	JUMPER CAMPER ATZ Links Achterkant 3	1
23	JUMPER CAMPER ATZ Rechts Achterkants 1	1
24	JUMPER CAMPER ATZ Rechts Achterkants 2	1
25	JUMPER CAMPER ATZ Support 5	2
26	JUMPER CAMPER ATZ Links Achterkants 2	1

# BOX CONTENTS



# BOX CONTENTS



**HTC OR3**  
x4



**M10x40 Flange Bolt**  
x4



**M10 Washer**  
x12



**HTC 232 - M10x25**  
x8



**HTC 269 - M10 Clips**  
x8

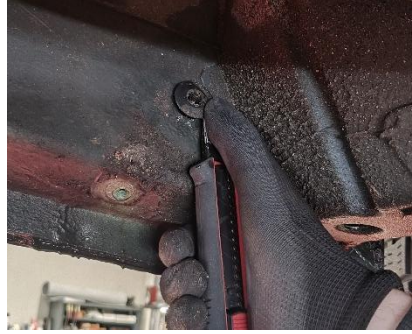
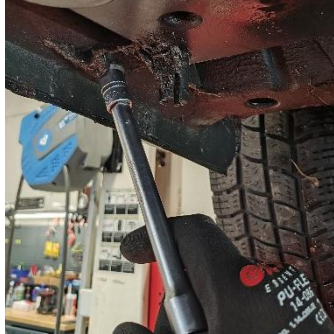
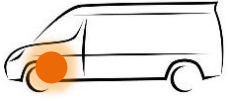


**M10x25 Flange Bolt**  
x4



**M10 Flange Nut**  
x14

# BRACKET ASSEMBLY



HTC 244



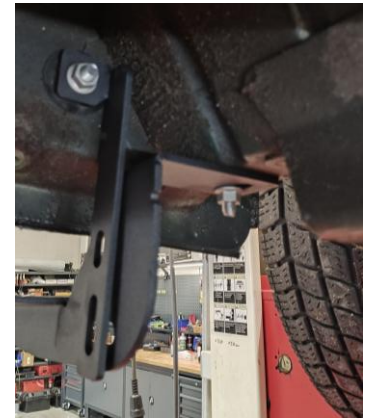
Item: 16, 2



HTC OR13



Item: 6



Item: 15,8,2



2 x Item: 1, 2

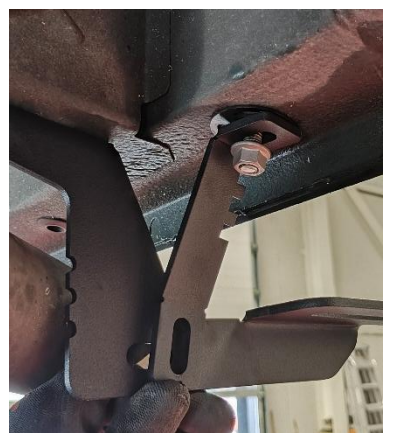
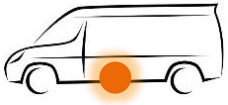


tighten



Repeat proces right with item: 17, 18

# BRACKET ASSEMBLY



# BRACKET ASSEMBLY

